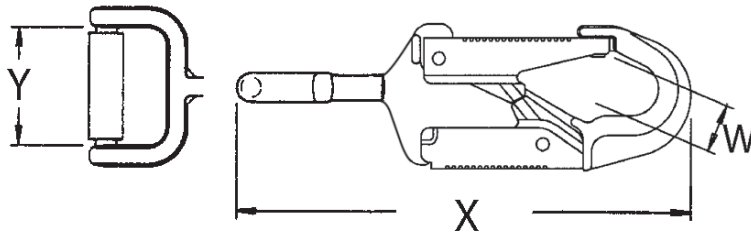


SELF-LOCKING STRAP HOOK



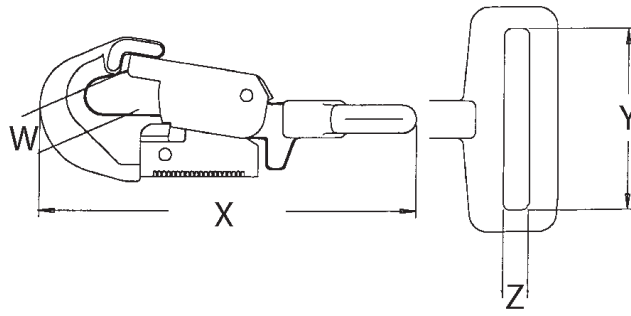
Drop Forged

100% proof loaded to 3,600 lbs (16kN)
 Min. tensile strength 5,000 lbs (22.2kN)

Stock	Part #	Description	Material	Weight	W	X	Y	ANSI/ASSE Z359.12-2009 std..	CSA Z259.12-01 std.	EN 362 std. 2004	Box Qty
S	6600*	3/4" Self-locking Strap Hook	Alloy Steel	12.9oz (364gm)	3/4" (19mm)	6 1/2" (165mm)	1 27/32" (47mm)		Certified	Certified	25

Patented

For finishes, refer to page vi.
 *Available with or without roller.



Drop Forged

100% proof loaded to 3,600 lbs (16kN)
Min. tensile strength 5,000 lbs (22.2kN)



5064

Stock	Part #	Description	Material	Weight	W	X	Y	Z	ANSI/ASSE Z359.12-2009 std.	CSA Z259.12-01 std.	EN 362 std. 2004	Box Qty
S	5064	5/16" Self-locking Strap Hook	Alloy Steel	4.6oz (129gm)	5/16" (8mm)	3 3/4" (95.3mm)	1 13/16" (46mm)	1/4" (6.4mm)		Meets or exceeds	Meets or exceeds	100

For finishes, refer to page vi.